



MEGASENSOR

Distribuidor Brasil

SISTEMA ANTICOLIÇÃO LASER

Laser Anti-collision System AE422



IP
65

MEGA SP Comércio de Sensor Eireli – ME
Endereço: Rua Liliental, 247 - Bairro Pq. Edu Chaves
CEP 02231-000 – São Paulo – SP – Brasil
Telefone: 11-3938-5313 – Mobile/WhatsApp: 11-97162-7722
E-mail: vendas@megasensor.com.br



MEGASENSOR

Distribuidor Brasil



Voice Prompt Pre-alarm and Alarm, Pre-alarm and Alarm point is adjustable.

Both direction two levels NO or NC switch signal output.

MEGA SP Comércio de Sensor Eireli – ME
Endereço: Rua Liliental, 247 - Bairro Pq. Edu Chaves
CEP 02231-000 – São Paulo – SP – Brasil
Telefone: 11-3938-5313 – Mobile/WhatsApp: 11-97162-7722
E-mail: vendas@megasensor.com.br



MEGASENSOR

Distribuidor Brasil

Mini display panel displays distance.

Can be connected two sensors, 4-20mA
input.

Suit for use 2 sets 4~20mA signal anti-
collision sensors, it is flexible to set
measure distance.

Wide range of voltage: AC85~AC265V.

Base

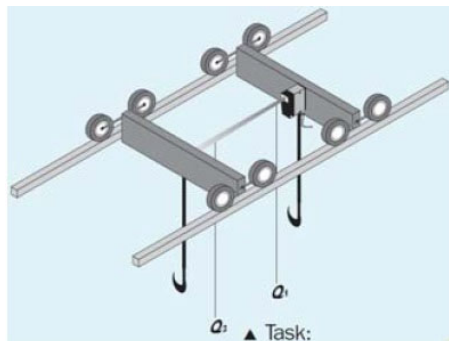
Product name	Laser Anti-collision System
Product model	AE422
Range	0.2m~50m
Signal	4-20mA
Laser protection level	Level 1 (EN 60825-1)

MEGA SP Comércio de Sensor Eireli – ME
Endereço: Rua Liliental, 247 - Bairro Pq. Edu Chaves
CEP 02231-000 – São Paulo – SP – Brasil
Telefone: 11-3938-5313 – Mobile/WhatsApp: 11-97162-7722
E-mail: vendas@megasensor.com.br



Electric

Supply voltage	AC85V~AC265V
Frequency	50-60Hz
Wattage	<10W
Display resolution	0.1m
Tolerance	±0.1 m
Muti-signal output	Voice Prompt alarm, digit communication (optional) Both direction two levels switch signal output. (NO or NC)
Action-time	0.5s
Resistance	12A 125VAC 7A 250VAC 7A 30VDC
Display	Content: distance Refreshing frequency: 2 frequency per second



AE422U Installation position



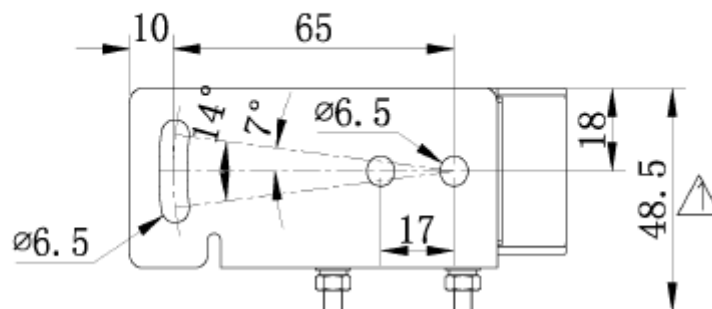
Mechanical

AE422C Material	ABS
AE422A Material	Cold rolled sheet + Galvanized +Power coated
AE422C Temperature	-30°C ~ +70°C
AE422A Temperature	-30°C ~ +55°C
AE422C Humidity	0% ~ 95% (不凝結)
AE422C Weight	0.5Kg
AE422A Weight	0.48Kg
AE422A IP rating	IP65

Acoustics

Sound level 0dB-80dB

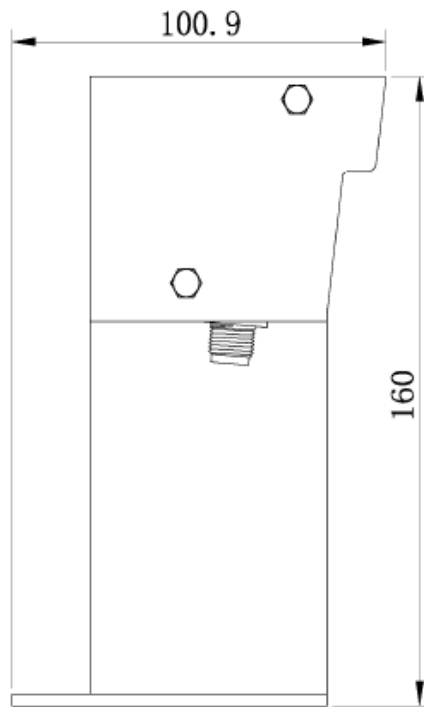
AE422A dimension (unit:mm)



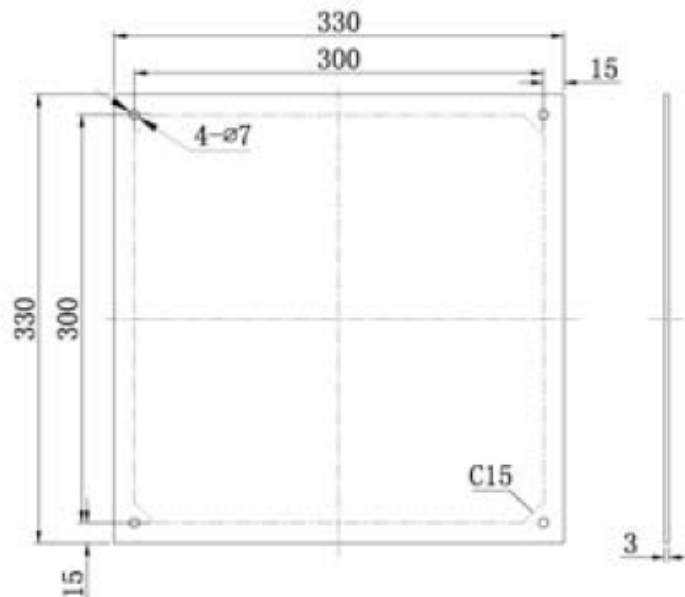


MEGASENSOR

Distribuidor Brasil



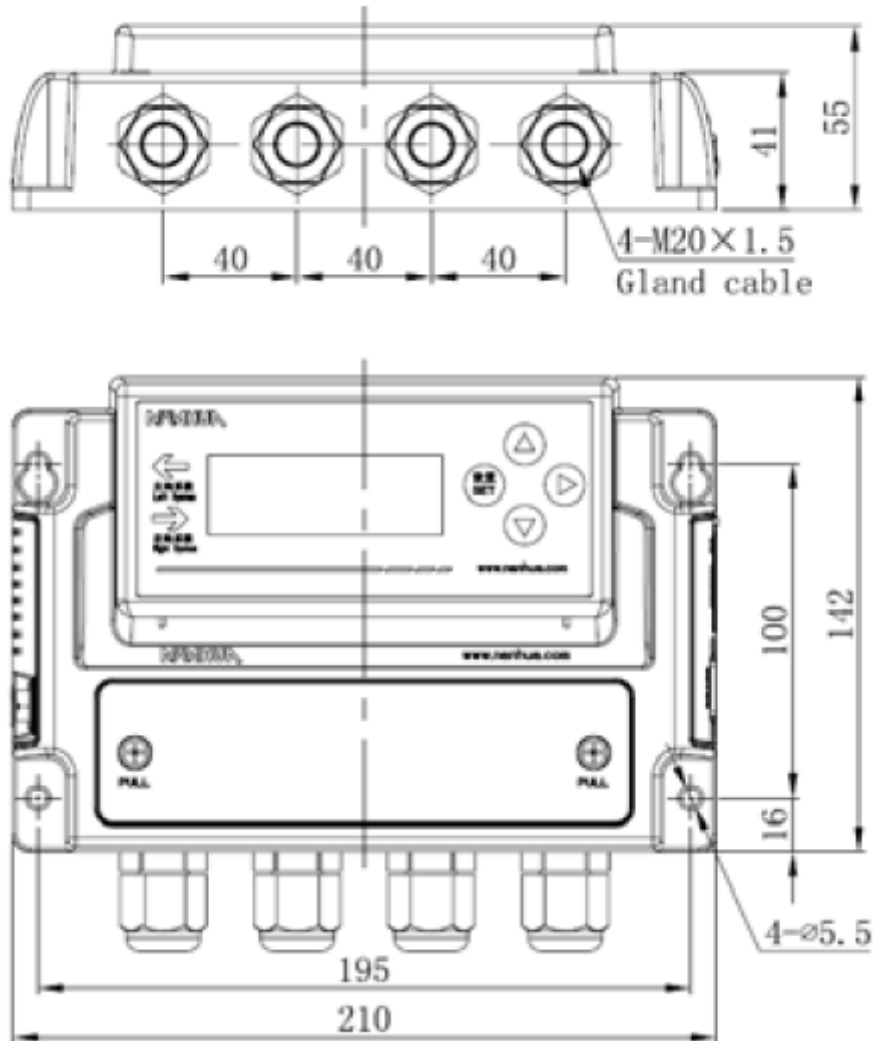
AE411B dimension (unit: mm)



MEGA SP Comércio de Sensor Eireli – ME
Endereço: Rua Liliental, 247 - Bairro Pq. Edu Chaves
CEP 02231-000 – São Paulo – SP – Brasil
Telefone: 11-3938-5313 – Mobile/WhatsApp: 11-97162-7722
E-mail: vendas@megasensor.com.br



AE422C dimension (unit: mm)





AE422C Parameter setting:



Fig.1 Pre-alarm point setting

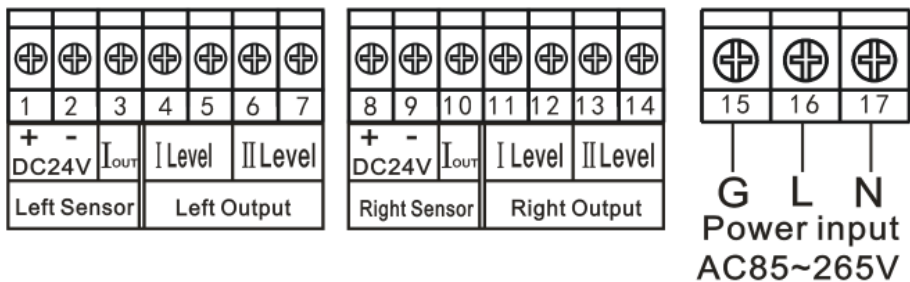


Fig.2 Alarm point setting



Fig.3 Measurement range setting

• AE421C wiring diagram



MEGA SP Comércio de Sensor Eireli – ME
 Endereço: Rua Liliental, 247 - Bairro Pq. Edu Chaves
 CEP 02231-000 – São Paulo – SP – Brasil
 Telefone: 11-3938-5313 – Mobile/WhatsApp: 11-97162-7722
 E-mail: vendas@megasensor.com.br

