

QCML/ QCMLC

Waterproof LED Light Bars for Multi-use with Protection of IP67/ IP69K



High seal and high waterproof light bars that can be used in high temperature wash down applications

Can select from a variety of light colors from cooldaylight, incandescent, amber and red color lights to fit your application needs

Common Specifications(QCML/ QCMLC)

- Side cover and lens is integrated together with a multi silicon rubber sealing structure for superior protection from water
- Aesthetically pleasing with slim and compact housing
- Polycarbonate material provides superior heat and shock resistance
- Features great seal and durability in food processing, pharmaceutical, and beverage processing machine that needs high temperature wash down
- Can select from light colors of Cooldaylight, warm white, amber and red color lights depending on your application needs such as semiconductor manufacturing equipment, machine tools and test equipment
- Can select between transparent lens type and translucent lens type depending on your application needs
- Detachable mounting bracket structure enables to adjust mounting hole space freely
- Protection rating : IP67, IP69K
- Certificates : CE Compliant



QCML Series Specifications

Lens Type	Length	Cooldaylight	Incandilight	Red	Amber
Translucent Lens					
	200mm	QCML-200-W	QCML-200-PY	QCML-200-R	QCML-200-A
	300mm	QCML-300-W	QCML-300-PY	QCML-300-R	QCML-300-A
	400mm	QCML-400-W	QCML-400-PY	QCML-400-R	QCML-400-A
	500mm	QCML-500-W	QCML-500-PY	QCML-500-R	QCML-500-A
	600mm	QCML-600-W	QCML-600-PY	QCML-600-R	QCML-600-A
	900mm	QCML-900-W	QCML-900-PY	QCML-900-R	QCML-900-A
	1,200mm 1,500mm	QCML-1200-W QCML-1500-W	QCML-1200-PY QCML-1500-PY	QCML-1200-R QCML-1500-R	QCML-1200-A QCML-1500-A
Transparent Lens					
	200mm	QCMLC-200-W	QCMLC-200-PY	QCMLC-200-R	QCMLC-200-A
	300mm	QCMLC-300-W	QCMLC-300-PY	QCMLC-300-R	QCMLC-300-A
	400mm	QCMLC-400-W	QCMLC-400-PY	QCMLC-400-R	QCMLC-400-A
	500mm	QCMLC-500-W	QCMLC-500-PY	QCMLC-500-R	QCMLC-500-A
	600mm	QCMLC-600-W	QCMLC-600-PY	QCMLC-600-R	QCMLC-600-A
	900mm	QCMLC-900-W	QCMLC-900-PY	QCMLC-900-R	QCMLC-900-A
	1,200mm 1,500mm	QCMLC-1200-W QCMLC-1500-W	QCMLC-1200-PY QCMLC-1500-PY	QCMLC-1200-R QCMLC-1500-R	QCMLC-1200-A QCMLC-1500-A

Features

- | | | | |
|---|--|---|---|
| <ul style="list-style-type: none"> • Bright and transparent color temperature that is most commonly used • Color temperature : 6,000-7,000K | <ul style="list-style-type: none"> • Less eye fatigue with color temperature similar to incandescent lamp • Color temperature : 2,500-3,500K | <ul style="list-style-type: none"> • Red color light for special use • Wavelength : 618nm-632nm | <ul style="list-style-type: none"> • Amber color light for special use • Wavelength : 585nm-595nm |
|---|--|---|---|

Applications

- | | | | |
|---|--|--|--|
| <ul style="list-style-type: none"> • Machine tools • Factory facilities • Image test • Panel boards | <ul style="list-style-type: none"> • Food processing facilities • Cosmetics manufacturing facility • Pharmaceutical equipment and facilities • Chemical facilities | <ul style="list-style-type: none"> • Semiconductor manufacturing equipment (in clean room) • Print and light exposure manufacturing facilities • Growing plants with artificial lights | <ul style="list-style-type: none"> • Semiconductor manufacturing equipment • Testing equipment |
|---|--|--|--|



Warning/Signal/Stackable



Signal & Electric Horn/Speakers



Vessels and Heavy-Duty Equipment



Explosion Proof



Warning Light Bar



Aviation Obstruction Lights



Signal Tower Lights



USB/ETN Signal Tower Lights



Electric Horn/Speakers



Industrial LED Lights

QCML/ QCMLC

Waterproof LED Light Bars for
Multi-use with Protection of IP67/ IP69K



QCML Translucent Lens Type



QCMLC Transparent Lens Type

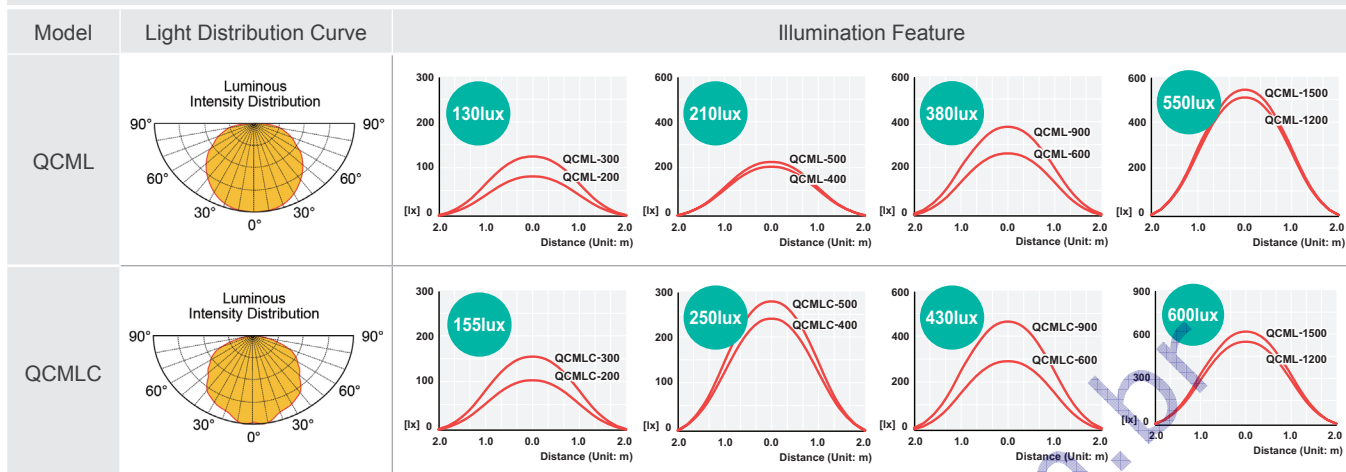


Optics Specifications								
Model	QCML-200/ QCMLC-200	QCML-300/ QCMLC-300	QCML-400/ QCMLC-400	QCML-500/ QCMLC-500	QCML-600/ QCMLC-600	QCML-900/ QCMLC-900	QCML-1200/ QCMLC-1200	QCML-1500/ QCMLC-1500
Lens color	Translucent/ Transparent	Translucent/ Transparent	Translucent/ Transparent	Translucent/ Transparent	Translucent/ Transparent	Translucent/ Transparent	Translucent/ Transparent	Translucent/ Transparent
Light color/ Color temperature	Cooldaylight	6,000-7,000K						
	Incandescent	2,500-3,500K						
	Red	618-632nm						
	Amber	585-632nm						
Luminous flux (Cooldaylight)	276lm/ 322lm	381lm/ 436lm	729lm/ 833lm	742lm/ 849lm	754lm/ 863lm	1,126lm/ 1,291lm	1,492lm/ 1,691lm	1,855lm/ 2,105lm
Illumination(at 1m) (Cooldaylight)	85Lux/ 100Lux	130Lux/ 155Lux	200Lux/ 245Lux	210Lux/ 250Lux	250Lux/ 295Lux	380Lux/ 430Lux	500Lux/ 560Lux	550Lux/ 600Lux
Specifications								
Model	QCML-200/ QCMLC-200	QCML-300/ QCMLC-300	QCML-400/ QCMLC-400	QCML-500/ QCMLC-500	QCML-600/ QCMLC-600	QCML-900/ QCMLC-900	QCML-1200/ QCMLC-1200	QCML-1500/ QCMLC-1500
Rated voltage	DC24V							
Range for operation voltage	DC21.5V-26.5V							
Current	0.230A	0.235A	0.460A	0.465A	0.465A	0.700A	0.925A	1.160A
Power consumption	5.5W	6W	11W	11.5W	11.5W	17W	22W	28W
Insulation resistance	Min. 100MΩ(500V DC mega ohm meter)							
Withstanding voltage	DC : 500V AC, 60Hz, 1 minute							
Operating temperature	-30°C to +50°C							
Waterproof	IP67/ IP69K							
Materials	Lens : PC, Side cover : PC, Heat sink : Al, Bracket : PC							
Certificate	CE DC24V only							
Weight(approx.)	0.16kg	0.20kg	0.26kg	0.33kg	0.40kg	0.56kg	0.76kg	0.94kg

QCML/ QCMLC

Waterproof LED Light Bars for Multi-use with Protection of IP67/ IP69K

Light Distribution and Luminance



Warning/
Signal/
Stackable



Signal &
Electric Horn/
Speakers



Vessels and
Heavy-Duty
Equipment



Explosion
Proof



Warning
Light Bar



Aviation
Obstruction
Lights



Signal Tower
Lights



USB/ETN
Signal Tower
Lights



Electric Horn/
Speakers

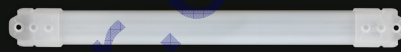


Industrial
LED Lights

Mounting Bracket



Example for mounting outside



Example for mounting inside



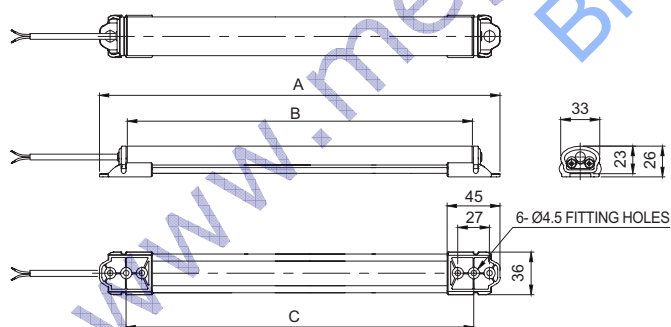
※ Adopts removable mounting bracket and sliding structure, adjustable mounting distance.(patent)

※ mounting bracket is arranged on edge or middle of body, in case of edge of body, mounting bracket space is kept.

Technical Diagram

(Units : mm)

QCML/ QCMLC-200/ 300/ 400/ 500/ 600/ 900/ 1200/ 1500



※ Power line standard : UL2464-AWG22(0.3sq×2C) 400mm

MODEL	A	B	C	D
QCML/ QCMLC-200	257	226	45~212	2
QCML/ QCMLC-300	357	326	45~312	2
QCML/ QCMLC-400	457	426	45~412	2
QCML/ QCMLC-500	557	526	45~512	2
QCML/ QCMLC-600	657	626	45~612	2
QCML/ QCMLC-900	957	926	45~912	3
QCML/ QCMLC-1200	1257	1226	45~1212	4
QCML/ QCMLC-1500	1557	1526	45~1512	4

※ D : Recommended quantity of mounting brackets

Ordering Specification

QCML	-	300	-	PY	-	24
[Model number]		[Product length]		[Light color]		[Voltage]
<ul style="list-style-type: none"> QCML : Translucent lens QCMLC : Transparent lens 		<ul style="list-style-type: none"> 200 : 257mm 300 : 357mm 400 : 457mm 500 : 557mm 		<ul style="list-style-type: none"> W-Cooldaylight PY-Incandilight R-Red A-Amber 		<ul style="list-style-type: none"> 24-DC24V