

Factor 1 inductive sensor



Features

Factor 1 for all metals

Anti-magnetic field interference

Extended sensing distance, easy for position setting and target control

Adopt ASIC technology, more stable performance



Part number

NPN NO LR12XBF04DNOU

PNP NO LR12XBF04DPOU

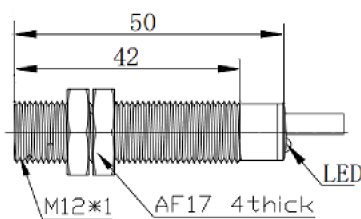
NPN NC LR12XBF04DNCU

PNP NC LR12XBF04DPCU

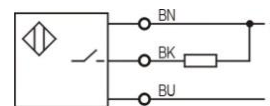
Technical specifications

Mounting	Flush	Consumption current	≤20mA
Rated distance S_n	4mm	Circuit protection	short circuit, overload, reverse polarity
Assured distance S_a	0...3.06mm	Output indicator	Yellow LED
Dimensions	M12*50mm	Ambient temperature	-40°C...70°C
Output	NO/NC(depends on part number)	Ambient humidity	35...95%RH
Supply voltage	10...30 VDC	Switching frequency	800 Hz
Standard target	Fe 12*12*1t	Special features	Factor 1 (iron, copper, aluminum, stainless steel attenuation < ±10%)
Switch-point drifts [%/Sr]	≤± 10%	Voltage withstand	1000V/AC 50/60Hz 60s
Hysteresis range [%/Sr]	3...20%	Insulation resistance	≥50MΩ (500VDC)
Repeat accuracy	≤5%	Vibration resistance	10...50Hz (1.5mm)
Load current	≤100mA	Degree of protection	IP67
Residual voltage	≤2.5V	Housing material	Nickel-copper alloy
Anti-magnetic field interference	<100mT	Connection way	2m PVC cable
Temperature drift	<15%		

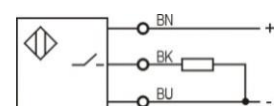
Dimensions



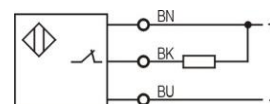
Wiring diagram



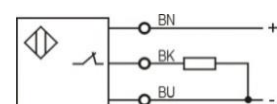
NPN NO



PNP NO



NPN NC



PNP NC

Factor 1 inductive sensor



Features

- Factor 1 for all metals
- Anti-magnetic field interference
- Extended sensing distance, easy for position setting and target control
- Adopt ASIC technology, more stable performance



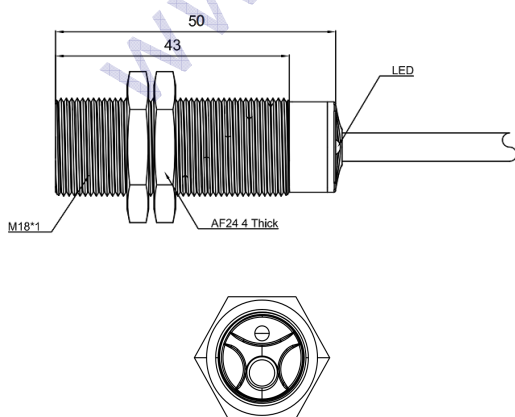
Part number

NPN NO	LR18XBF08DNOU	PNP NO	LR18XBF08DPOU
NPN NC	LR18XBF08DNCU	PNP NC	LR18XBF08DPCU

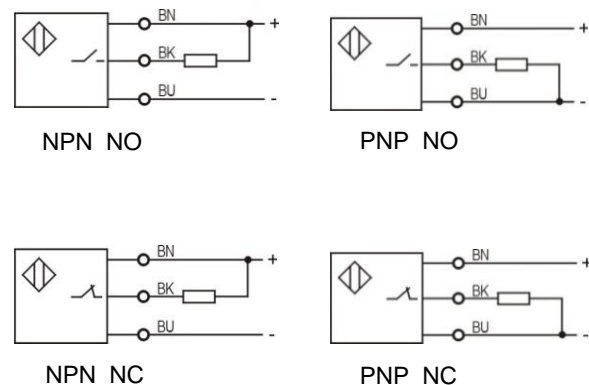
Technical specifications

Mounting	Flush	Consumption current	≤20mA
Rated distance S_n	8mm	Circuit protection	short circuit, overload, reverse polarity
Assured distance S_a	0...6.12mm	Output indicator	Yellow LED
Dimensions	M18*50mm	Ambient temperature	-40°C...70°C
Output	NO/NC(depends on part number)	Ambient humidity	35...95%RH
Supply voltage	10...30 VDC	Switching frequency	800 Hz
Standard target	ST45 25*25*1t	Special features	Factor 1 (iron, copper, aluminum, stainless steel attenuation < ±10%)
Switch-point drifts [%/Sr]	≤± 10%	Voltage withstand	1000V/AC 50/60Hz 60s
Hysteresis range [%/Sr]	1...20%	Insulation resistance	≥50MΩ (500VDC)
Repeat accuracy	≤5%	Vibration resistance	10...50Hz (1.5mm)
Load current	≤100mA	Degree of protection	IP67
Residual voltage	≤2.5V	Housing material	Nickel-copper alloy
Anti-magnetic field interference	<100mT	Connection way	2m PVC cable
Temperature drift	<15%		

Dimensions



Wiring diagram



Factor 1 inductive sensor



Features

- Factor 1 for all metals
- Anti-magnetic field interference
- Extended sensing distance, easy for position setting and target control
- Adopt ASIC technology, more stable performance



Part number			
NPN NO	LR30XBF15DNOU	PNP NO	LR30XBF15DPOU
NPN NC	LR30XBF15DNCU	PNP NC	LR30XBF15DPCU

Technical specifications			
Mounting	Flush	Consumption current	≤20mA
Rated distance S_n	15mm	Circuit protection	short circuit, overload, reverse polarity
Assured distance S_a	0...11.475mm	Output indicator	Yellow LED
Dimensions	M30*50mm	Ambient temperature	-40°C...70°C
Output	NO/NC(depends on part number)	Ambient humidity	35...95%RH
Supply voltage	10...30 VDC	Switching frequency	500 Hz
Standard target	ST45 45*45*1t	Special features	Factor 1 (iron, copper, aluminum, stainless steel attenuation < ±10%)
Switch-point drifts [%/Sr]	≤± 10%	Voltage withstand	1000V/AC 50/60Hz 60s
Hysteresis range [%/Sr]	1...20%	Insulation resistance	≥50MΩ (500VDC)
Repeat accuracy	≤5%	Vibration resistance	10...50Hz (1.5mm)
Load current	≤100mA	Degree of protection	IP67
Residual voltage	≤2.5V	Housing material	Nickel-copper alloy
Anti-magnetic field interference	<100mT	Connection way	2m PVC cable
Temperature drift	<15%		

Dimensions	Wiring diagram